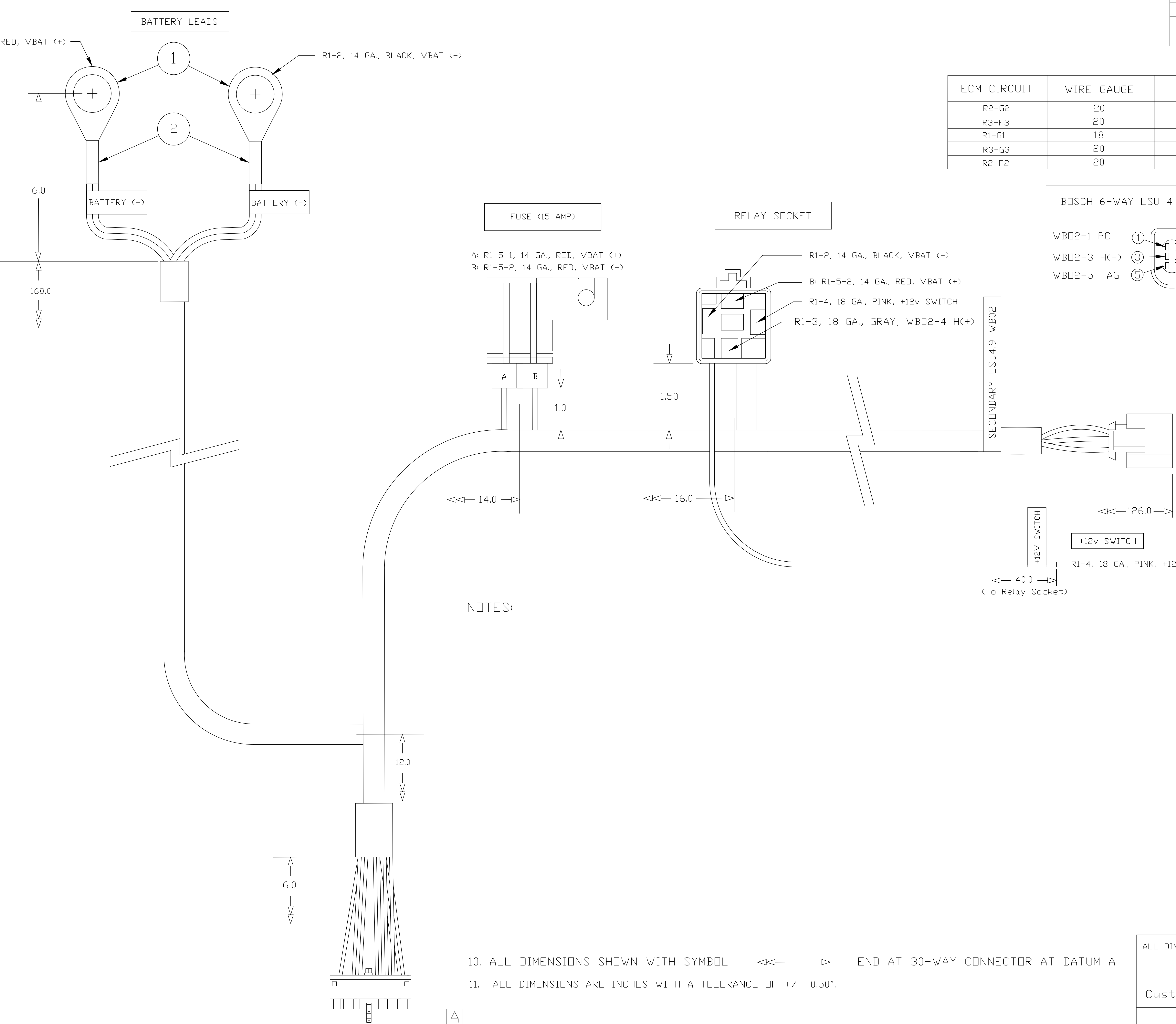
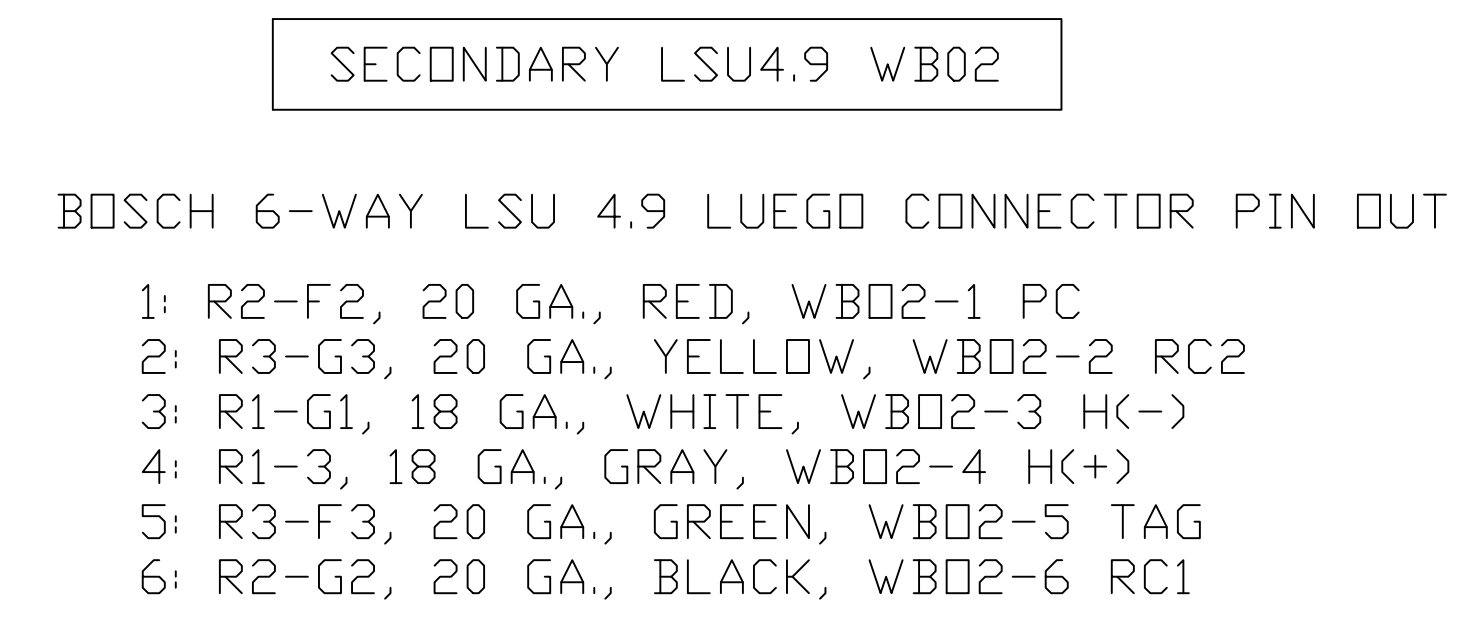
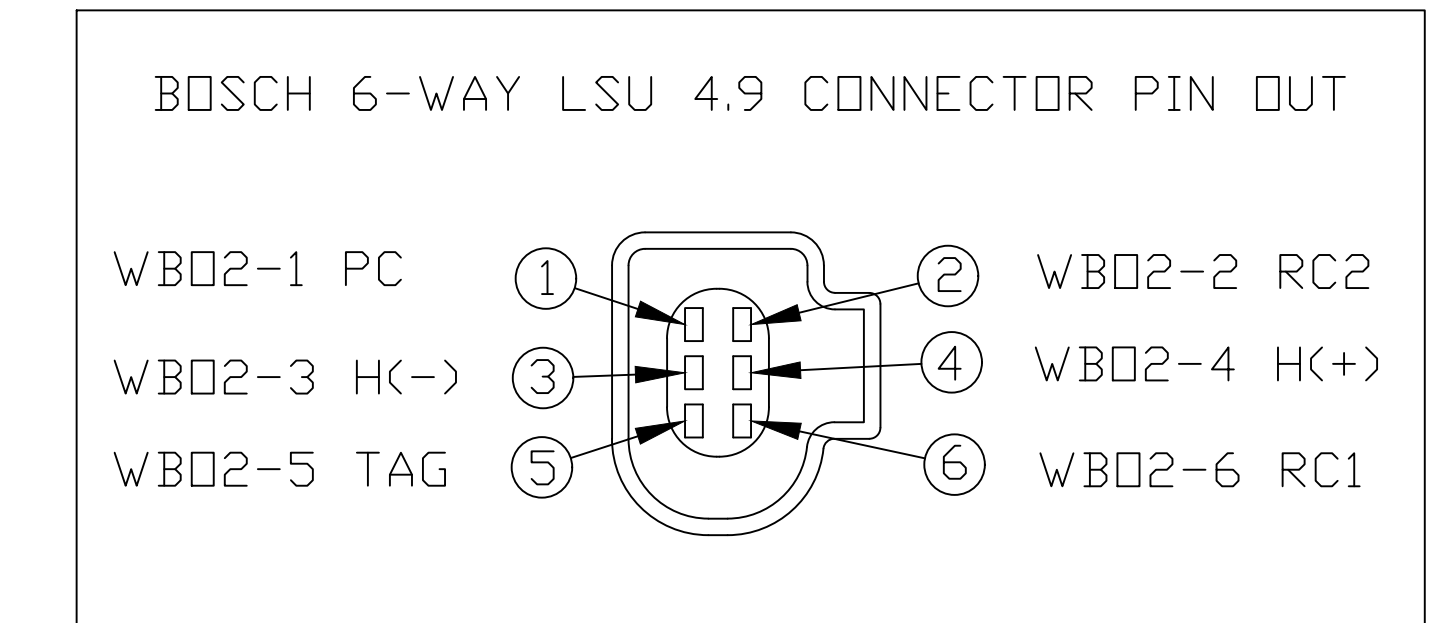


REVISIONS				
ZONE	REV	DESCRIPTION	DATE	APPROVED

ECM CIRCUIT	WIRE GAUGE	GOES TO	WIRE COLOR	NOTES
R2-G2	20	WB02-6	BLACK	RC1 / LUEGDUN
R3-F3	20	WB02-5	GREEN	TAG / LUEGDJA
R1-G1	18	WB02-3	WHITE	H (-) / LUEGDH-
R3-G3	20	WB02-2	YELLOW	RC2 / LUEGDVM
R2-F2	20	WB02-1	RED	PC / LUEGDIP



NOTES:

10. ALL DIMENSIONS SHOWN WITH SYMBOL $\leftarrow \rightarrow$ END AT 30-WAY CONNECTOR AT DATUM A
11. ALL DIMENSIONS ARE INCHES WITH A TOLERANCE OF +/- 0.50".

ALL DIMENSIONS IN INCHES		MEANEY BROTHERS, INC.		
Customer version		GEN4 SECONDARY BOSCH LSU4.9 HARNESS		
DATE: 01/26/19	SIZE: D	FSCM NO.	DWG NO. JMI-006-089	REV: B
DRAWN BY: JMM	SCALE: NONE	SHEET 1 OF 1		

MAXXX